

KSG30

LOG SPLITTER

DIMENSIONS(STD)

Operating weight	940kg/2072.3lb
A Operating height	862mm
B Overall length of machine	2535mm
C Overall machine height	1278mm
D Wheelbase	855mm
E Track length	1235mm
F Ground clearance	117mm
G Angle of departure	46°
H Angke of approach	20°
I Total track width	910mm
J Track width	180mm
M Cutting height Max	360mm
N Cutting depth Max	367mm
R Swing angle to the right Max	69°
L Swing angle to the left Max	69°

POWER

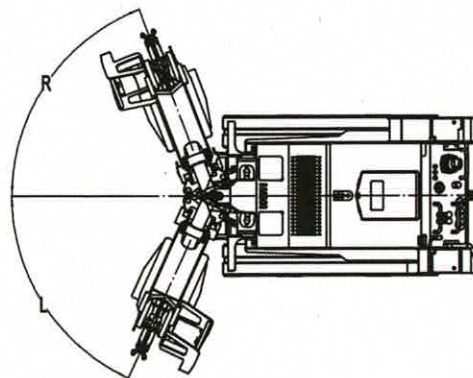
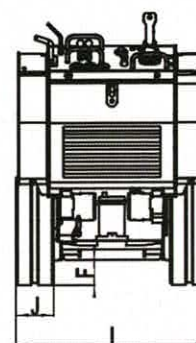
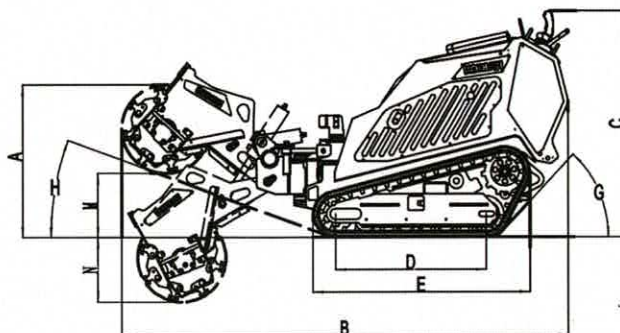
Model No.	KUBOTA D902
Fuel	Diesel
Rated power	11.8kw
Emissions compliance	EPATier 4/EU Stage V
Number of cylinders	3
Displacement	0.898L
Bore	72mm
Stroke	73.6mm
Rated speed	2300rpm

OPERATION

Ground drive speed	3km/h
Ground press	30.7kpa

HYDRAULIC SYSTEM

Flow rate of gear pump	18L/min
Flow rate of piston pump	80L/min



FLUID CAPACITIES

Fuel tank capacity	30L/7.9gal
Lubricating oil capacity	3.7L/1.0gal
Hydraulic reservoir capacity	31L/8.2gal

www.rhinocerosequipment.com



SHANDONG KEN STONE HEAVY MACHINERY CO.,LTD



Address : Guan County, Liaocheng City, Shandong Province.China

Postal code : 252512

Website : www.rhinocerosequipment.com

E-mail : office@sdxiniu.com