

# RHINOCEROS

## RH22

### CRAWLER EXCAVATOR

#### MAIN DIMENSION

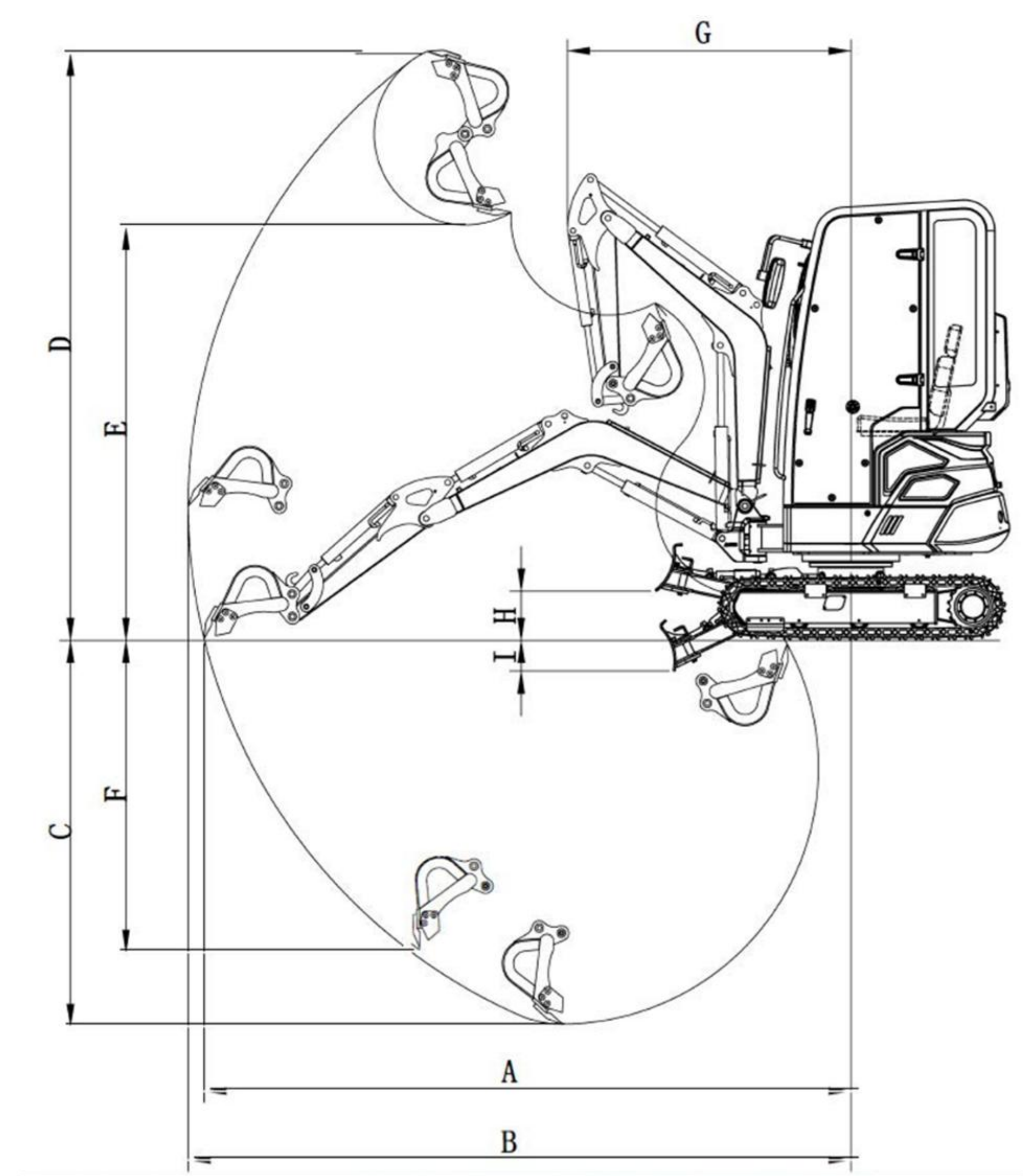
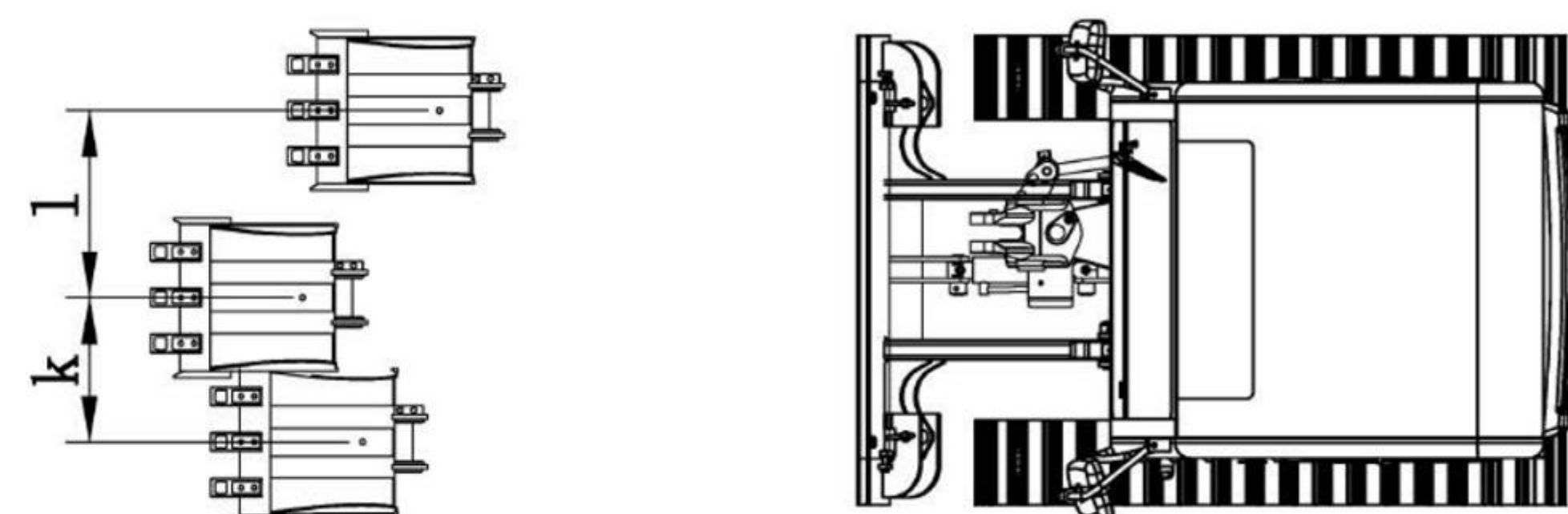
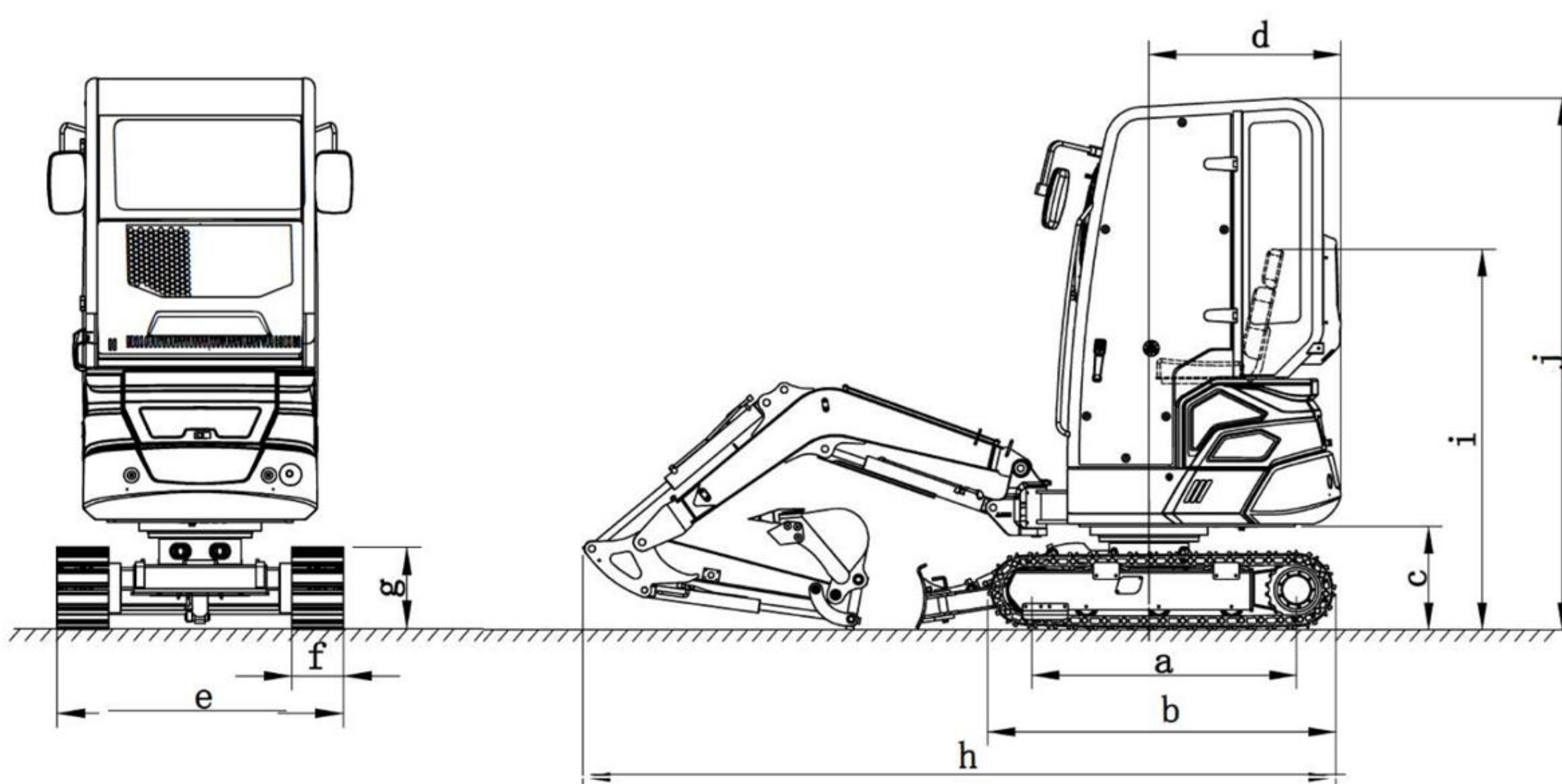
a	Wheel base	mm	1230
b	Track length	mm	1590
c	Upper chassis ground clearance	mm	473
d	Counterweight turning radius	mm	885
e	Chassis width	mm	1025 (1275)
f	Track width	mm	230
g	Track height	mm	360
h	Transportation length	mm	3475
i	Height of seat to ground	mm	1750
j	Overall height	mm	2455
m	Boom swing - left	mm	390
n	Boom swing - right	mm	510

#### OPERATING RANGE

A	Max. digging radius on ground	mm	3610
B	Max. digging radius	mm	3700
C	Max. digging depth	mm	2150
D	Max. digging height	mm	3275
E	Max. unloading height	mm	2310
F	Max. vertical digging depth	mm	1740
G	Min. turning radius	mm	1580
H	Max. lifting height dozer blade	mm	275
I	Max. depth dozer blade	mm	180

#### SPECIFICATION

Operating weight		2030kg
Standard bucket capacity		0.045 cbm
Working device type		Backhoe
Engine	Model No.	KUBOTA D1105
	Displacement	1.123L
	Rated power/rpm	14.2Kw
	Max. torque	71.4N.m
Speed	Max. travel speed	3.3/2.2km/h
	Swing speed	10.5rpm
	Max. Grade ability	30°
Tracks	Ground specific pressure	41.3KPa
	Material	Rubber or steel
	Type of tensioner	Grease cylinder
Hydraulic system	Pump type	Piston pump
	Working pressure	22MPa
	Flow rate	39.6L/min
Capacity	Hydraulic oil tank capacity(L)	15.3L
	Fuel tank capacity(L)	18L



- VALVE:TAIFENG
- PUMP:TAIFENG
- SWING MOTOR:EDDIE
- TRAVELING MOTOR:EDDIE
- CYLINDER:SUQINGGE



## RH22

### CRAWLER EXCAVATOR