

RHINOCEROS

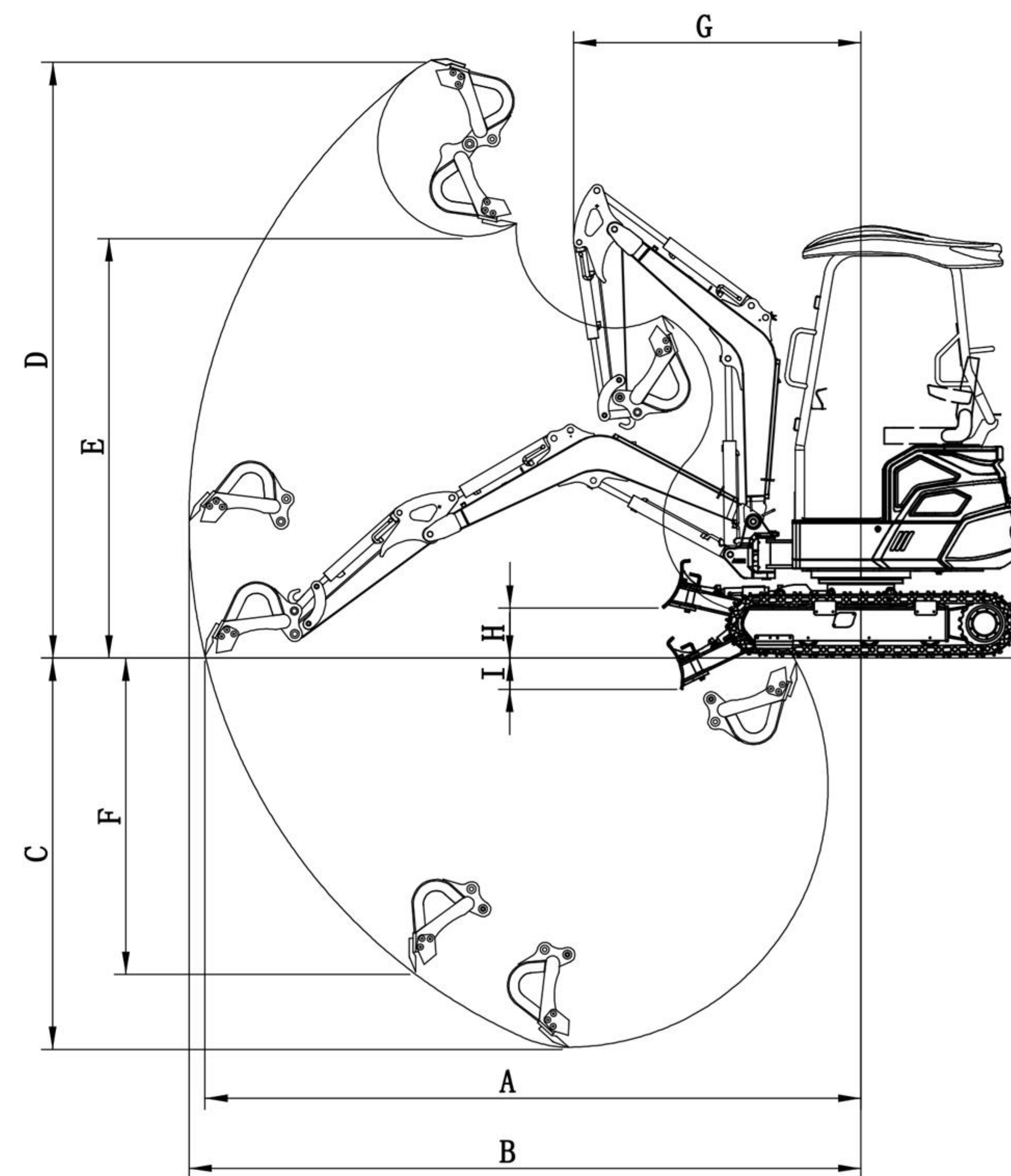
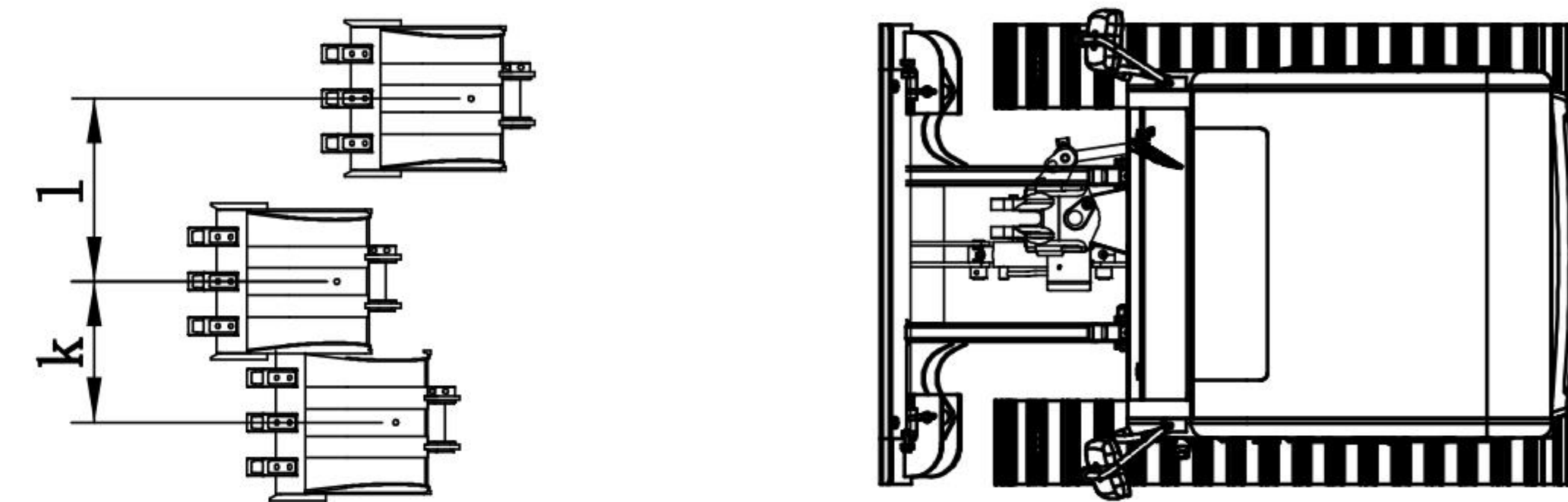
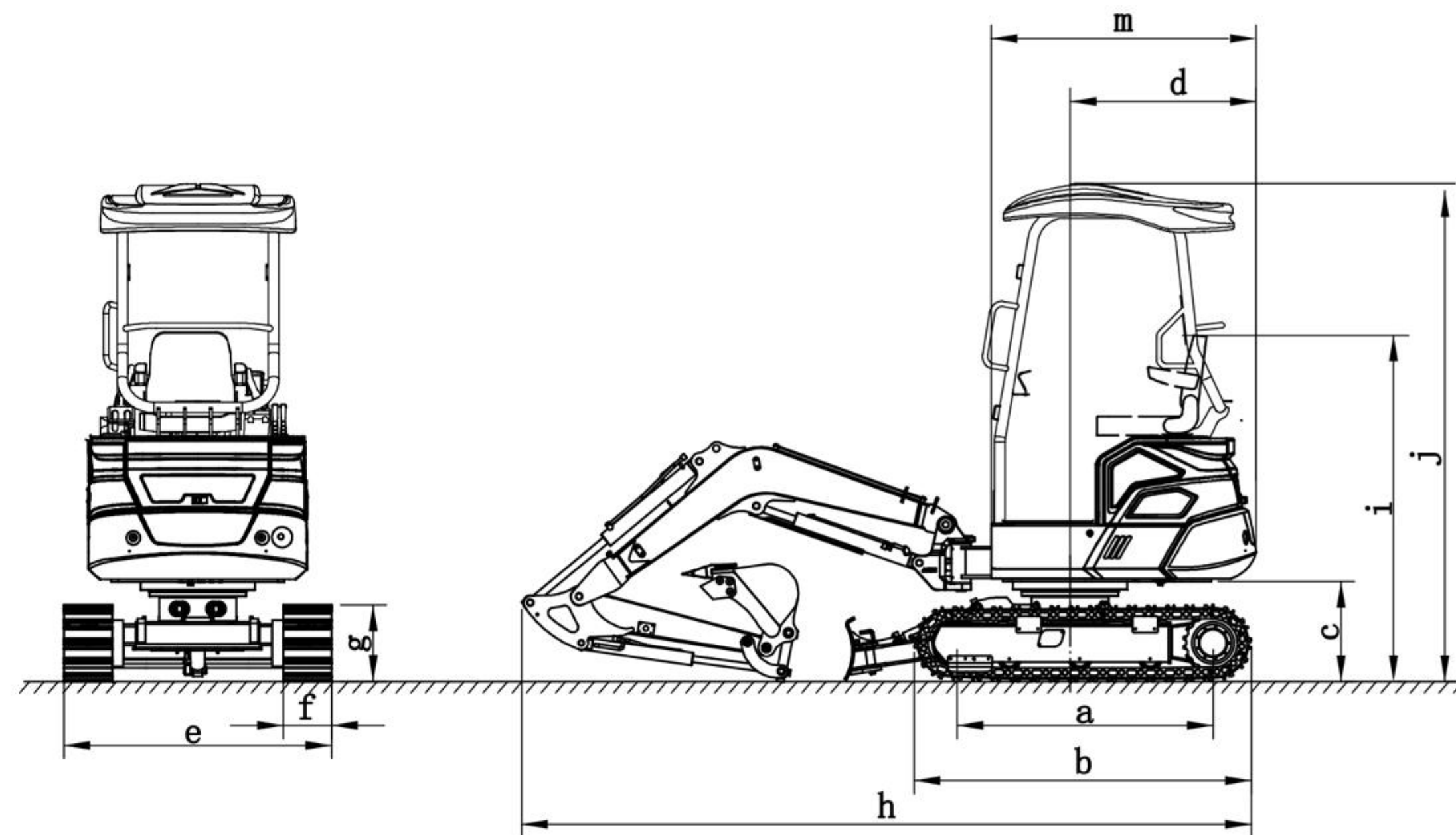
RH22

CRAWLER EXCAVATOR

SPECIFICATION		
Operating weight		1850kg
Working device form		Backhoe
Standard bucket capacity		0.029 cbm
Engine	Model No.	KUBOTA D1105-EF09
	Displacement	1.123 L
	Rated power	14 kw
	Max. torque	67.4 N.m
Speed and digging force	Max. travel speed	3.3/3.2 km/h
	Swing speed	10.5 rpm
	Max. gradeability	30%
Track material		Rubber
Hydraulic and liquid capacity	Pump type	Piston pump
	Work pressure	22 MPa
	Flow rate	39.6L/min
	Hydraulic oil tank capacity	15.3 L
	Fuel tank capacity	18L

OPERATING RANGE		
A	Max. digging radius on ground	3610mm
B	Max. digging radius	3700mm
C	Max. digging depth	2150mm
D	Max. digging height	3275mm
E	Max. dumping height	2310mm
F	Max. vertical digging depth	1740mm
G	Min. swing radius	1580mm
H	Max. blade lifting height	275mm
I	Max. blade digging depth	180mm

MAIN DIMENSIONS		
a	Wheel base	1230mm
b	Track length	1590mm
c	Upper chassis ground clearance	473mm
d	Counterweight turning radius	885mm
e	Chassis width	900mm (1240mm)
f	Track width	230mm
g	Track height	360mm
h	Transportation length	3475mm
i	Height of seat to ground	1750mm
j	Total height	2300mm
k	Boom swing - left	390mm
l	Boom swing - right	510mm
m	Basic length	1256mm



- VALVE:TAIFENG
- PUMP:TAIFENG
- SWING MOTOR:EDDIE
- TRAVELING MOTOR:EDDIE
- CYLINDER:SUQINGGE



RH22

CRAWLER EXCAVATOR