

RHINOCEROS

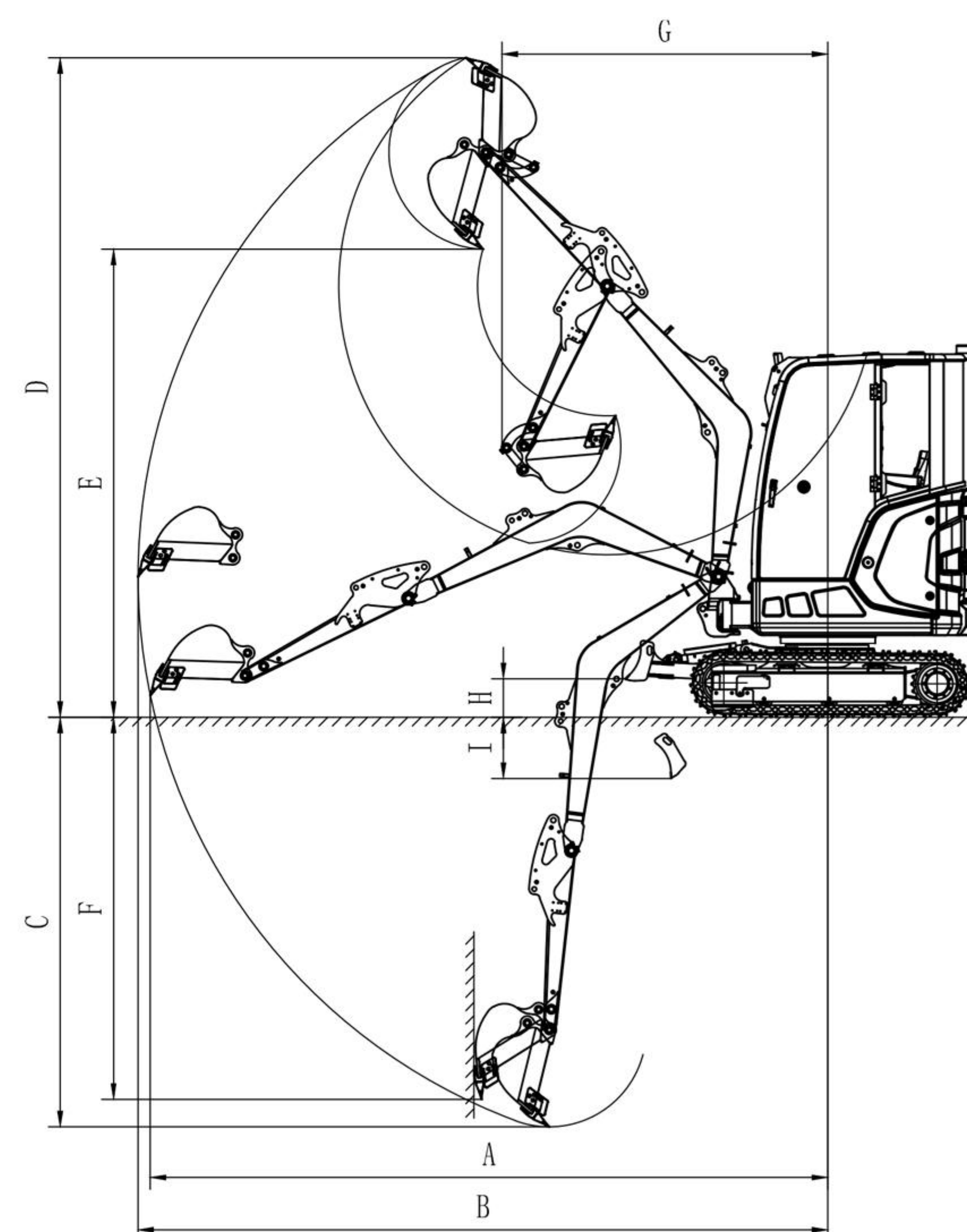
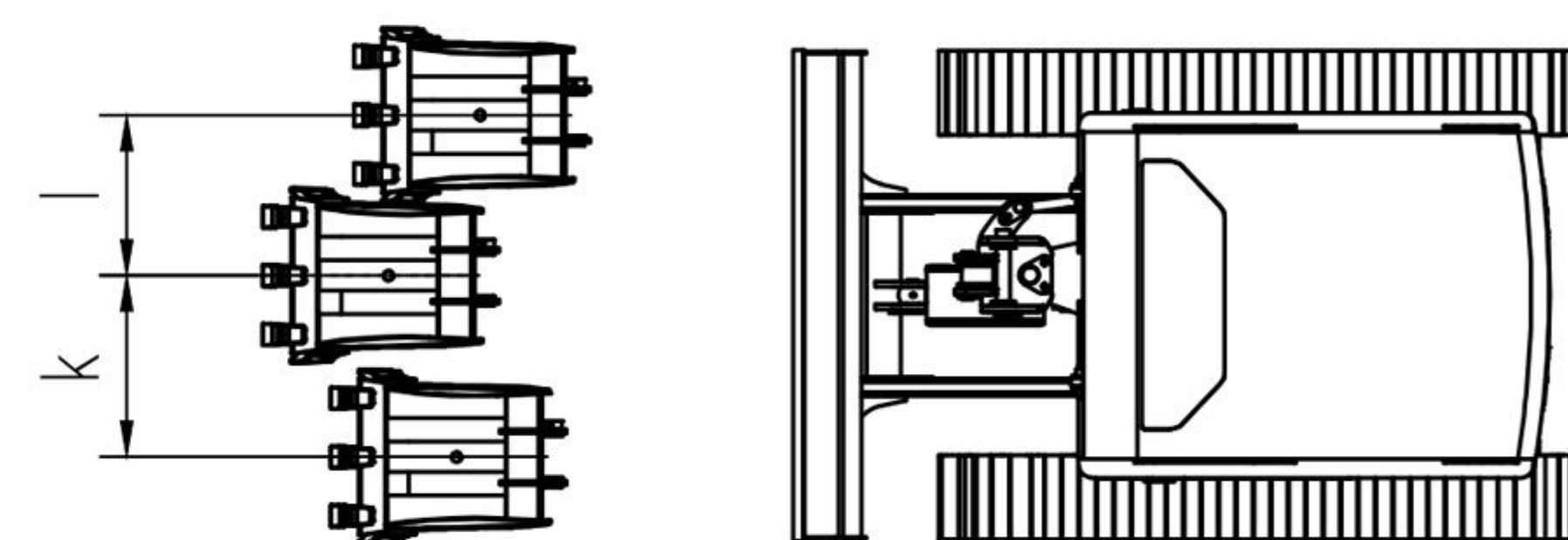
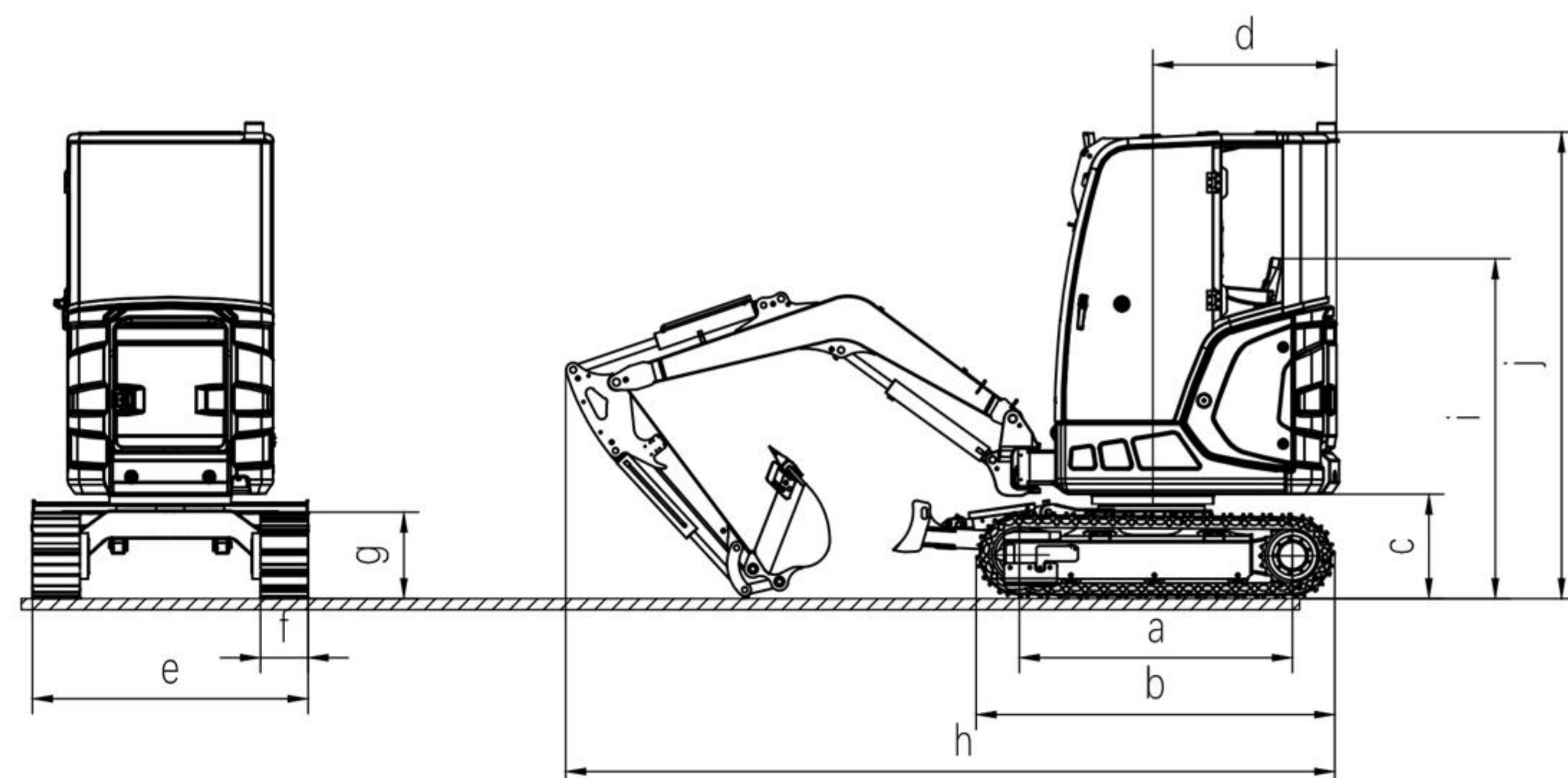
RH30

CRAWLER EXCAVATOR

SPECIFICATION		
Operating weight		2970kg
Working device form		Backhoe
Standard bucket capacity		0.04 cbm
Engine	Model No.	KUBOTA D1105
	Displacement	1.123L
	Rated power	14.2 KW/2500r/min
	Max. torque	70.3N.m/2000r/min
Speed and digging force	Max. travel speed	3.2/2.2 km/h
	Swing speed	9 rpm
	Max. gradeability	30%
Hydraulic and liquid capacity	Pump type	Piston pump
	Work pressure	22 MPa
	Flow rate	61.6L/min
	Hydraulic oil tank capacity	25.3 L
	Fuel tank capacity	22L

OPERATING RANGE		
A	Max.digging radius on ground	4573mm
B	Max.digging radius	4656mm
C	Max. digging depth	2763mm
D	Max. digging height	4447mm
E	Max. dumping height	3157mm
F	Max. vertical digging depth	2577mm
G	Min. swing radius	2200mm
H	Max. blade lifting height	257mm
I	Max. blade lifting depth	413mm

MAIN DIMENSIONS		
a	Wheel base	1440mm
b	Track length	1892mm
c	Upper chassis groundclearance	535mm
d	Counterweight turningradius	968mm
e	Chassis width	1454mm
f	Track width	250mm
g	Tract height	455mm
h	Transportation length	3055mm
i	Height of seat to ground	1791mm
j	Total height	2460mm
k	Boom swing - left	539mm
l	Boom swing - right	477mm



- VALVE:TAIFENG
- PUMP:TAIFENG
- SWING MOTOR:EDDIE
- TRAVELING MOTOR:EDDIE
- CYLINDER:SUQINGGE



RH30

CRAWLER EXCAVATOR