

RHINOCEROS

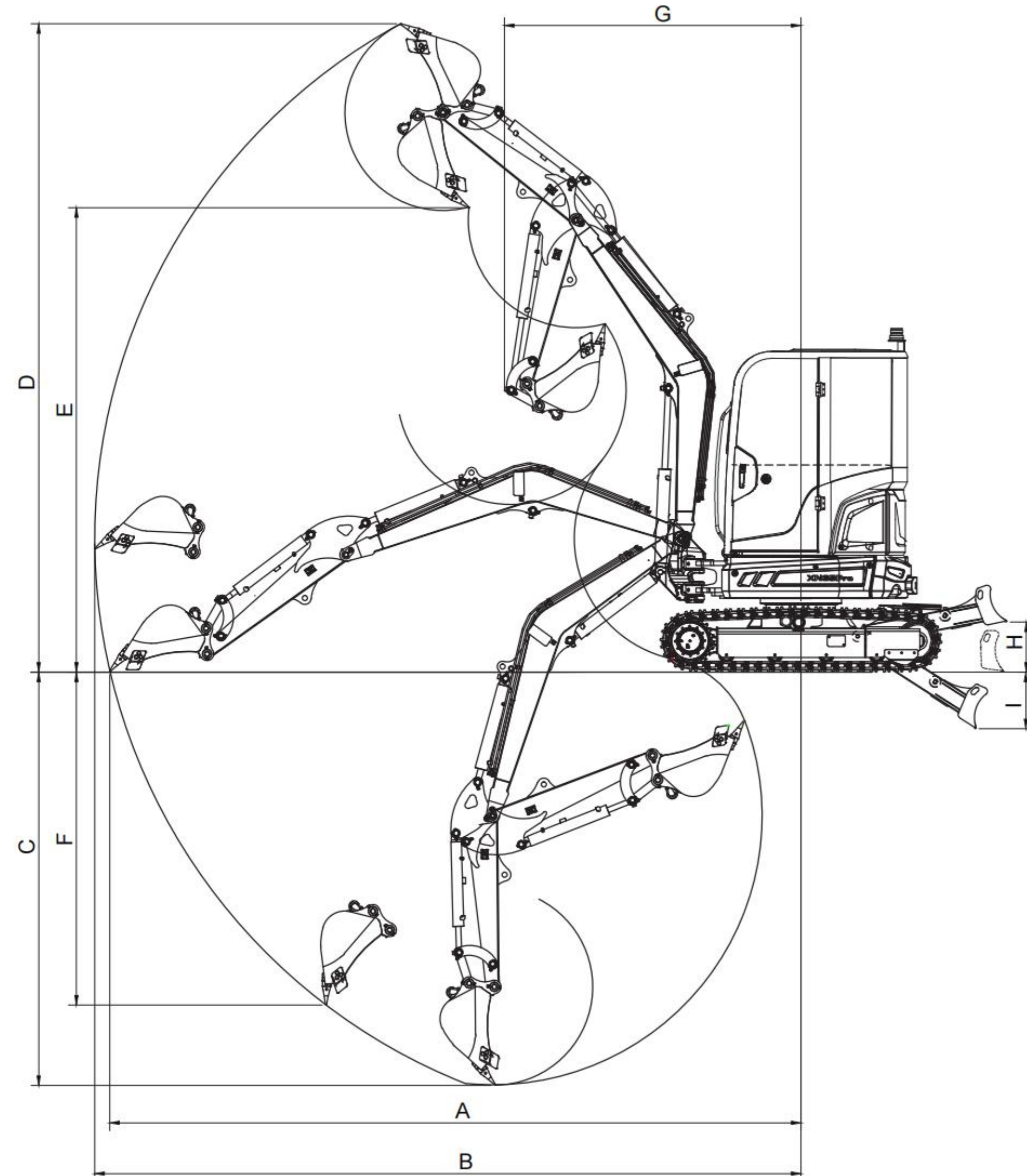
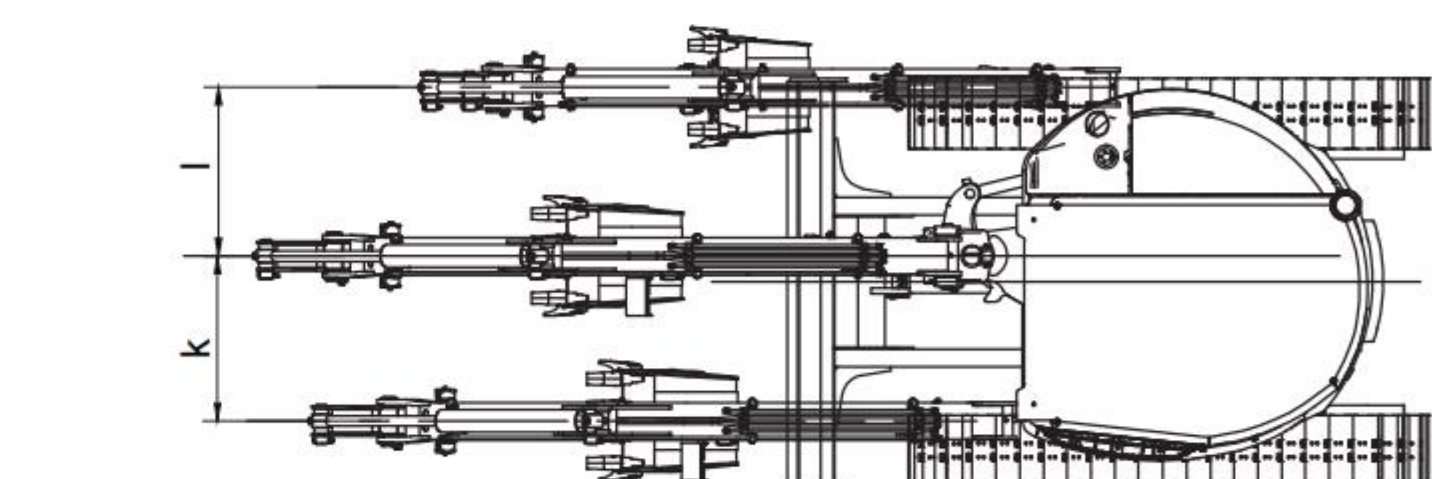
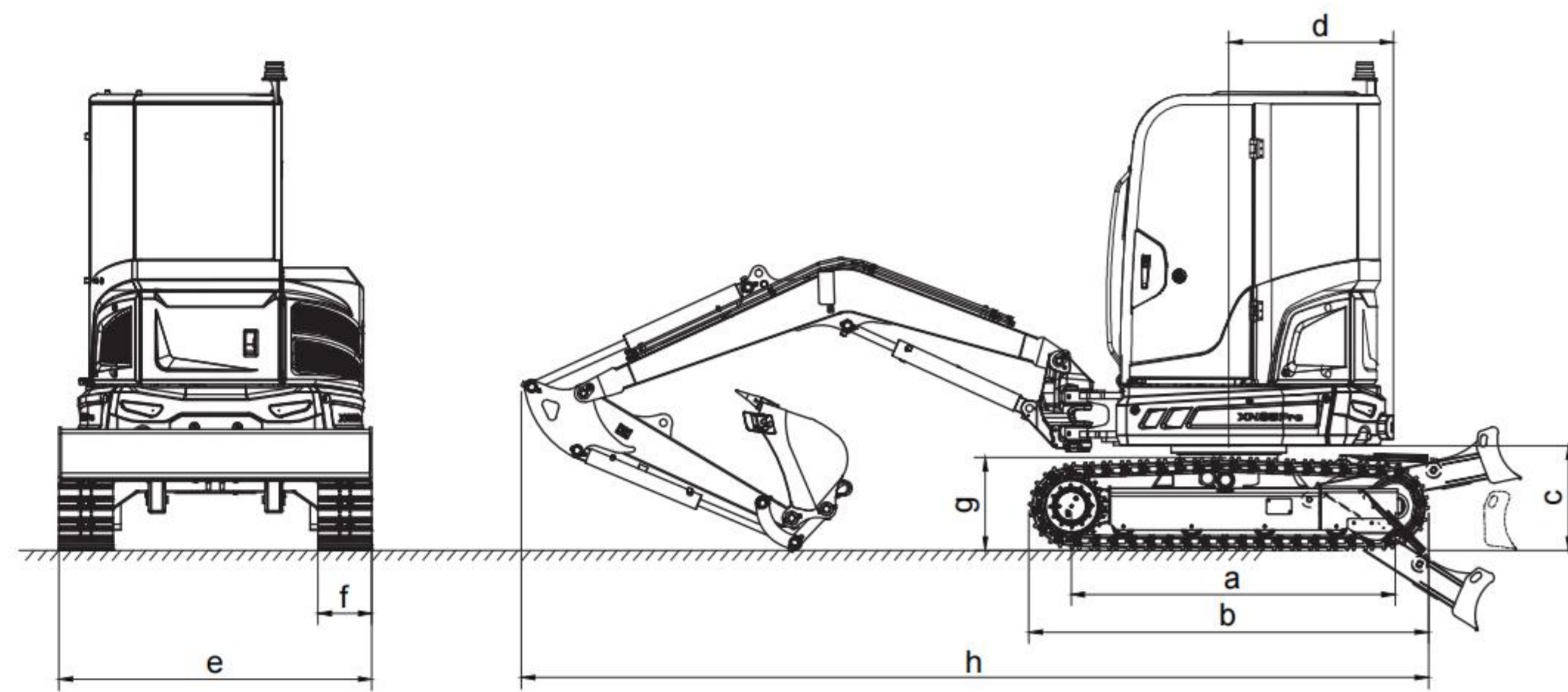
RH40

CRAWLER EXCAVATOR

MACHINE SIZE	U.S.(in)	METRIC(mm)
a Wheel base	70.8	1800
b Track length	87.6	2225
c Upper chassis ground clearance	22.8	580
d Counterweight turning radius	36	915
e Chassis width	68.5	1740
f Track width	11.8	300
g Track height	20.5	520
h Traveling length	198.6	5045
j Overall height	100.6	2555
k Boom swing (left)	27.7	705
l Boom swing (right)	28.3	720

OPERATING RANGE	U.S.(in)	METRIC(mm)
A Max. digging radius on ground	215	5460
B Max. digging radius	219.5	5575
C Max. digging depth	128.5	3265
D Max. digging height	201.6	5120
E Max. unloading height	144.5	3670
F Max. vertical digging depth	103.5	2630
G Min. turning radius	92.3	2345
H Max. Lifting height dozer blade	15.5	395
I Max. depth dozer blade	17.5	445

SPECIFICATION		
Operating weight	8818 lb/4000kg	
Bucket capacity	6712.6cu.in/0.11bm	
Working device type	Backhoe	
Engine	Model No.	Kubota D1703-M
	Displacement	0.435gal/1.647L
	Rated output power/speed (kw/r/min)	18.2/2200
	Max.Torque (N.m/rmin)	97.4/1500
Speed and digging force	Max. traveling speed	2.2mph/1.3mph/3.6km/h/2.2km/h
	Swing speed(rpm)	9.5
	Max. grade ability	30°
	Bucket digging force (KN)	27.6
	Bucket arm digging force (KN)	20.4
	Maximum tractive force (KN)	31.6
Boom swing (left)	71°	
Boom swing (right)	52°	
Grounding resistance (KPa)	31.6	
Track material	Steel (rubber is optional)	



Track tensioning device type	Grease cylinder
Pump type	Piston pump
Operating pressure	3190psi/22Mpa
Flowrate	26.1gal/99L/min
Hydraulic oil tank capacity	13.2gal/50L
Engine oil capacity	1.8gal/7L
Fuel tank capacity	15.8gal/60L



- VALVE:HENGLI
- PUMP:HENGLI
- SWING MOTOR:HENGLI
- TRAVELING MOTOR:HENGLI
- CYLINDER:SUQINGGE



RH40 CRAWLER EXCAVATOR